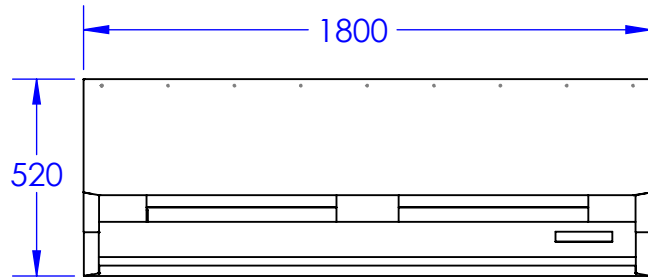
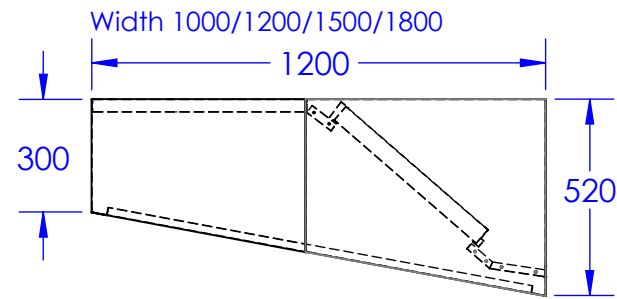


| | |
|--------------------|------|
| APPROVAL SIGNATURE | DATE |
|--------------------|------|

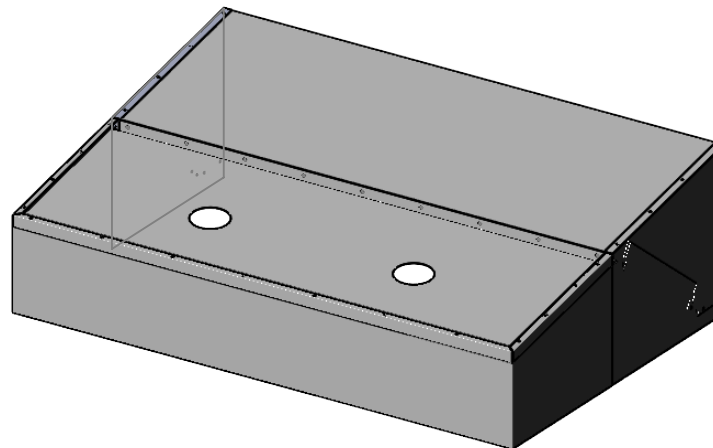
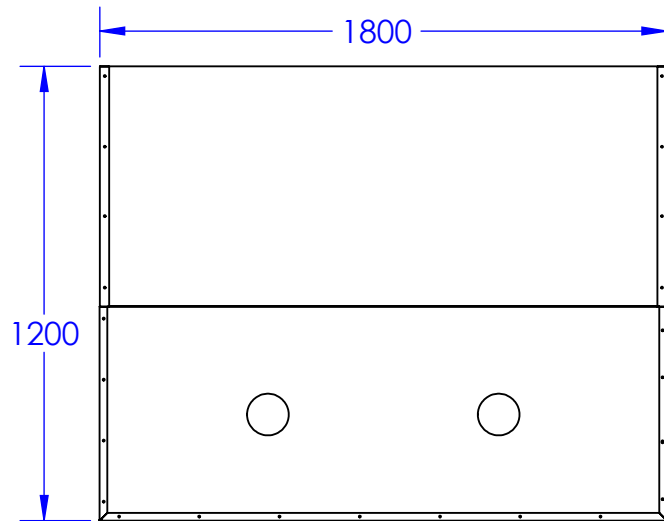
Front View



Side View



Plan View



1800w x 1200d x 520h Canopy

THE CONTRACTOR SHALL VERIFY ALL DIMENSIONS ON THE JOB BEFORE STARTING WORK OR PREPARING SHOP DRAWINGS. ANY DISCREPANCIES MUST BE REFERRED TO THE ARCHITECT. DO NOT SCALE FROM THIS DRAWING.

COPYRIGHT ON ALL DRAWINGS, SPECIFICATION AND DOCUMENTATION REMAINS THE PROPERTY OF CATERKWIK LTD. AND MUST NOT BE COPIED OR REPRODUCED IN WHOLE OR IN PART IN ANY MANNER OR FORM WITHOUT PRIOR CONSENT OF THE COMPANY.

PROJECT

CLIENT

TITLE

1800w x 1200d x 520h Canopy

| SCALE | DRAWN | CHECKED | DATE |
|--------|------------|---------|------------|
| 1:20 | AG | | 27/07/2022 |
| JOB NO | DRAWING NO | SIZE | REVISION |
| | | A4 | |



Caterkwik Ltd, Newlands, Ulverston. Cumbria, LA12 7QQ

www.caterkwik.co.uk